

# Owner Operation and Maintenance Manual

**SNOWPLOW**

**MODEL 18054-01**

## TO THE OWNER

This is an operational and general maintenance manual only and does not cover major repair. All major repair work must be performed by an authorized BOLENS DEALER or the factory warranty is void. Bolens equipment is carefully engineered to give good performance if properly operated and maintained. Keep your equipment clean and lubricate it as prescribed in this manual. Periodically inspect your unit and perform any upkeep maintenance necessary.

Your dealer is obligated by the factory to completely assemble and service new equipment prior to first delivery, and thoroughly explain and demonstrate its operation. He will repair or replace any parts which fail due to defective material and/or workmanship during the warranty period, and also provide future repair service and supply genuine factory repair parts.

IN EVENT OF ANY PROBLEM OR PARTS REQUIRED ALWAYS CONTACT YOUR DEALER. DO NOT RETURN PARTS TO THE FACTORY. WE REQUIRE PRIOR FACTORY APPROVAL ON RETURNS, AND APPROVALS ARE ISSUED ONLY TO BOLENS DEALERS OR DISTRIBUTORS.

## FORWARD

This snow plow is shipped partially assembled here at the factory. To complete assembly and properly mount the snow plow to your Husky 1250 tractor, the following steps are required.

## ASSEMBLY

After removing the blade, blade hitch, and two control arms along with the hardware bag from their carton:

1. Position front end of Hitch Frame between mounting plates on back side of blade assembly. Align holes and insert the 5/8-11 x 3" hex head cap screw and lock nut supplied in hardware bag. Tighten bolt securely, then back off nut until blade pivots freely.
2. With tractor on a level surface, slide blade hitch under front of tractor securing the two vertical hitch

arms to the tractor implement hitch-arms with the two 2-1/8 x 5/8" clevis pins and spring cotters provided.

3. With tractor selector lever in the PARK position, start tractor and pull implement lift lever down into the float position.

4. Shut off engine and attach the two control arms to the tractor lift arms with clevis pins and spring cotters. Adjust right hand control rod so that there is 24" between center lines of clevis mounting holes and secure to the right hand horizontal blade hitch arm with clevis pin and spring cotter. Adjust left hand control rod as required and secure to left hand hitch arm with remaining clevis pin and spring cotter.

5. Start engine and raise blade to its maximum height.

## NOTE

This hook-up will allow for approximately 10" of lift above horizontal and approximately 5" below horizontal.

Check clearance between front axle and blade hitch so that the hitch does not interfere with front axle oscillation. Should interference be noted, shorten control arms until hitch clears axle when in extreme Right or Left tilt.

## OPERATION

The blade angle can be varied by pulling back on the spring-loaded Latch Lock-Lever, and manually turning the Blade Assembly in the Hitch to desired position. The Shoes have slotted mounting holes so they can be raised or lowered to adjust the height of Blade depending on the smoothness of surface to be cleared.

## NOTE

Two holes are supplied in the upper corners of the Blade; also in the Latch Lock-Lever. These can be used to adapt remote control lines to change the angle of Plow Blade from the driver seat, if so desired.



**BOLENS**

PORT WASHINGTON, WISCONSIN, U.S.A.

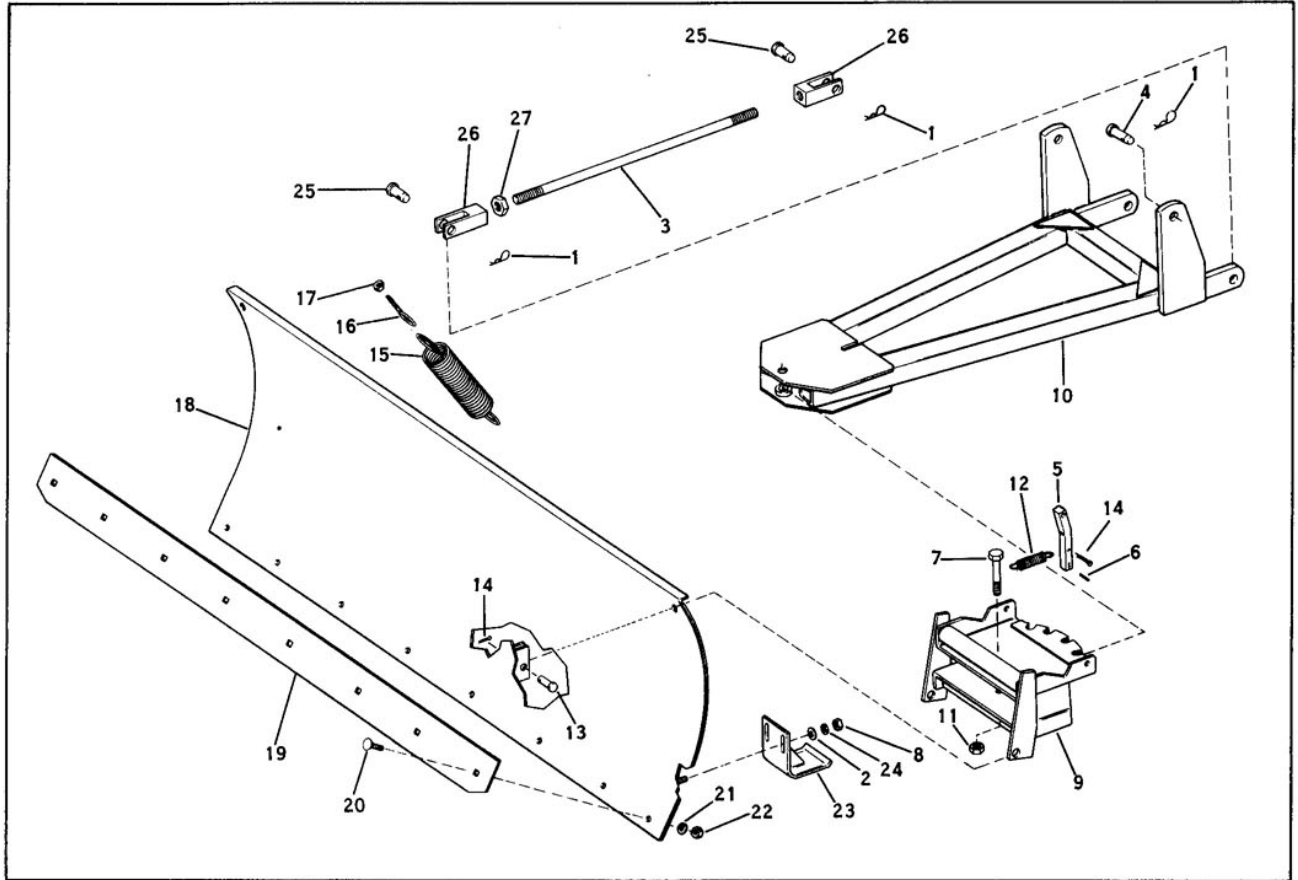
### GENERAL SAFETY PRECAUTIONS

Preventing accidents is the responsibility of every equipment operator. The following general safety precautions must be fully understood and followed by every operator of this unit. Review them frequently and NEVER TAKE CHANCES. BE CAREFUL BEFORE, DURING AND RIGHT AFTER USE OF ANY POWERED EQUIPMENT. ACCIDENTS CAN BE PREVENTED.

1. Do not allow children to operate unit at any time.
2. Do not allow adults to operate unit without proper instruction including all safety instructions.
3. Always follow manufacturer's operational suggestions.
4. Study your manual. Know your unit before operating it. Take time to operate the unit in the safest manner.
5. Keep children and others out of area to be plowed.
6. Do not plow at too high a speed. You could be thrown from the tractor if your plow would strike a hidden object at high speed. "Bucking" with the plow is dangerous and can break or bend tractor and plow parts.
7. Always lower plow to surface when parking, storing unit, or leaving it unattended.

# ILLUSTRATED PARTS LIST

**BOLENS**  
54 INCH  
**SNOW PLOW**  
ATTACHMENT  
**MODEL 18054-01**



Ref. No.	Part No.	Description	No. Req'd.
1	1703011	Spring Cotter	6
2	1107383	Flat Washer 3/8	4
3	1719096	Push Rod	2
4	1719095	Clevis Pin	2
5	1714830	Latch Pin	1
6	1704692	Roll Pin 1/8 x 1	2
7	1107072	Capscrew 5/8-11 x 3	1
8	1103840	Hex Nut 3/8-16	4
9	1719327	Pivot Plate	1
10	1719092	Hitch	1
11	1110112	Lock Nut 5/8-11	1
12	1700401	Spring	1
13	1708125	Clevis Pin 1/2 x 1-1/16	2

Ref. No.	Part No.	Description	No. Req'd.
14	1100349	Cotter Pin 1/8 x 3/4	3
15	1714844	Spring	2
16	1713077	Eye Bolt	2
17	1110107	Lock Nut 5/16-18	2
18	1719089	Blade	1
19	1719090	Scraper Blade	1
20	1111266	Carriage Bolt 5/16-18 x 1	8
21	1100242	Lock Washer 5/16	8
22	1103839	Nut 5/16-18	8
23	1715754	Shoe	2
24	1100243	Lock Washer 3/8	4
25	1713553	Clevis Pin	4
26	1714573	End Rod	4
27	1108891	Jam Nut 5/8-11	2



# BOLENS

PORT WASHINGTON, WISCONSIN, U.S.A.

PRINTED IN U.S.A.

**MyTractorForum.com**